

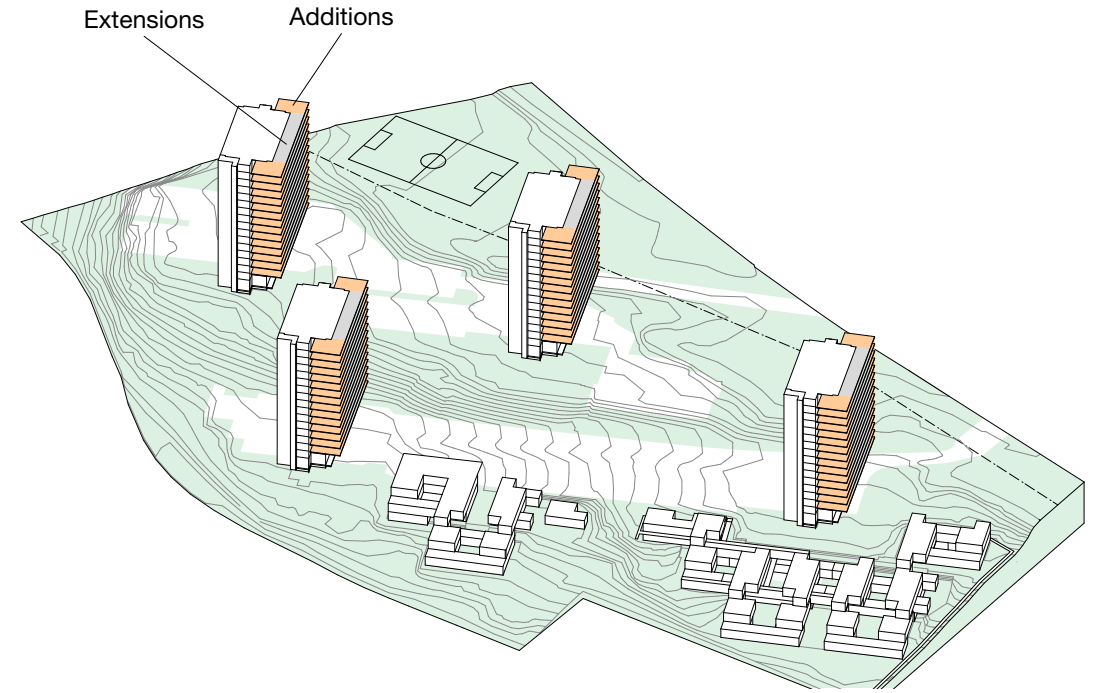
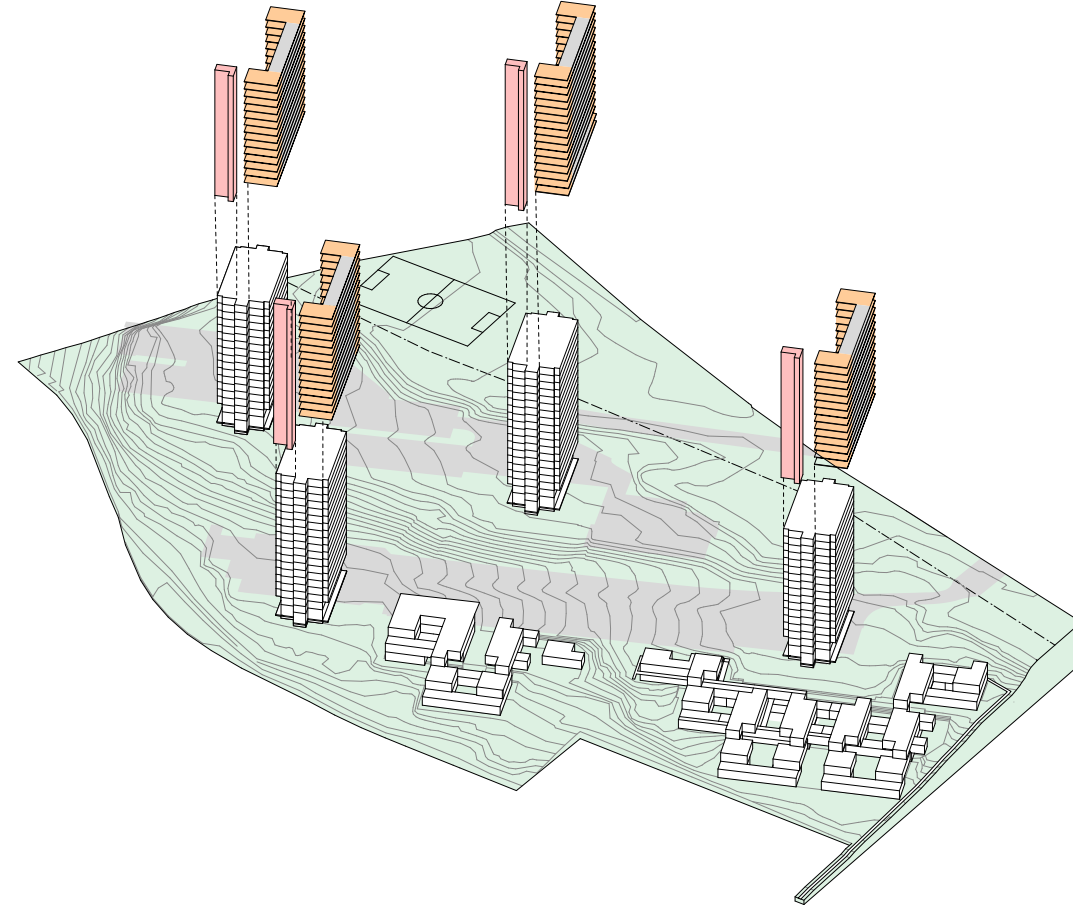
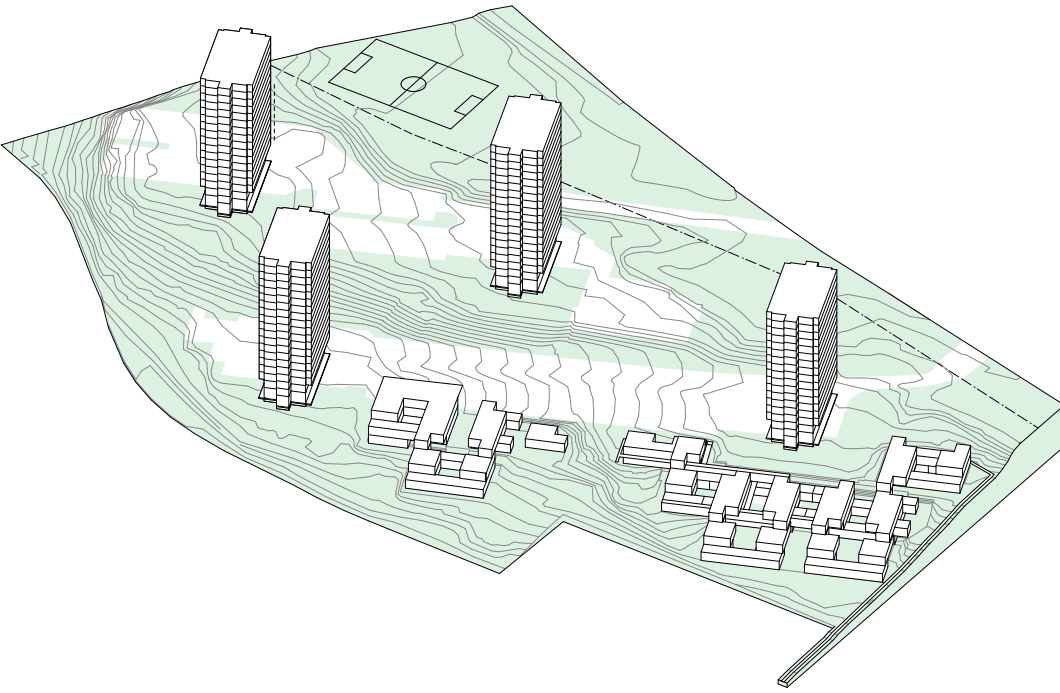
AACHEN RÜTSCHERSTRASSE - STUDENTENTÜRME

ARGE Lacaton & Vassal / Molestina Architekten + Stadtplaner

3 November 2022



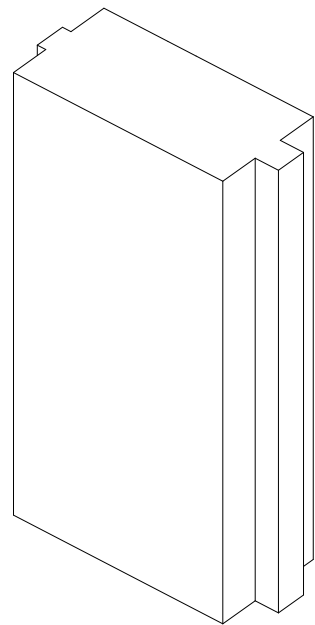
Existing Situation



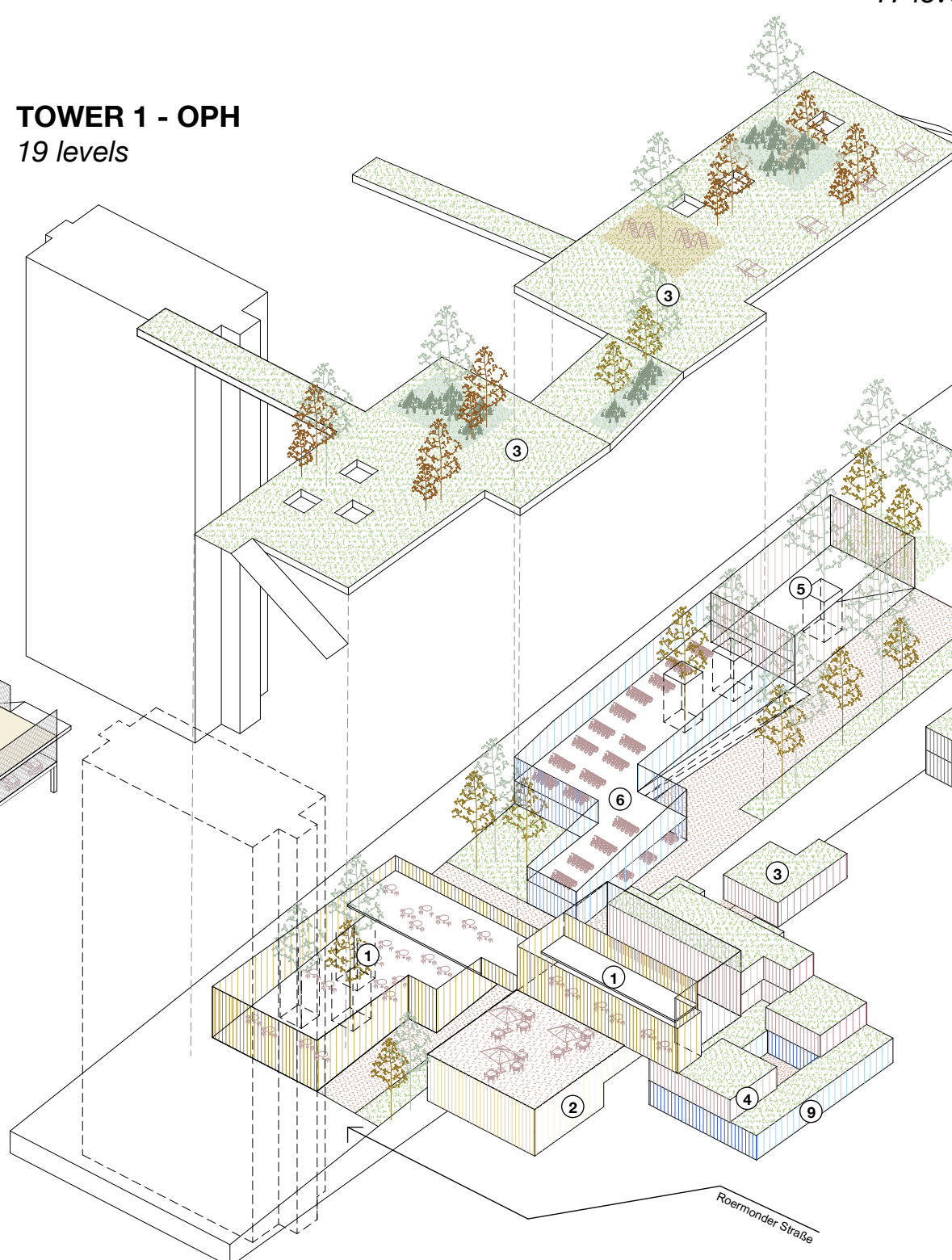


The village centre

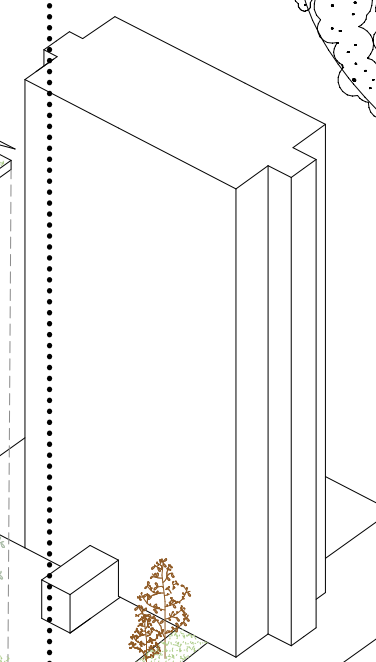
TOWER 2 - OIH
17 levels



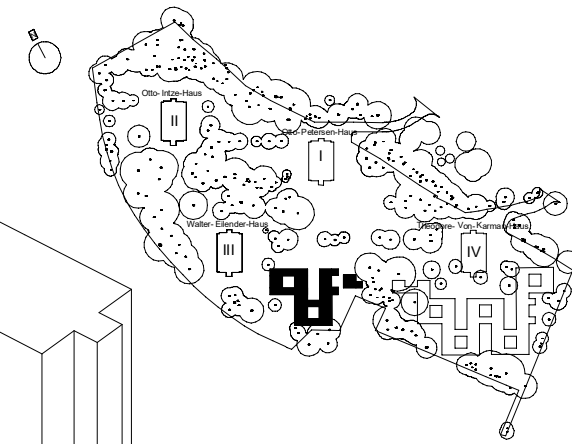
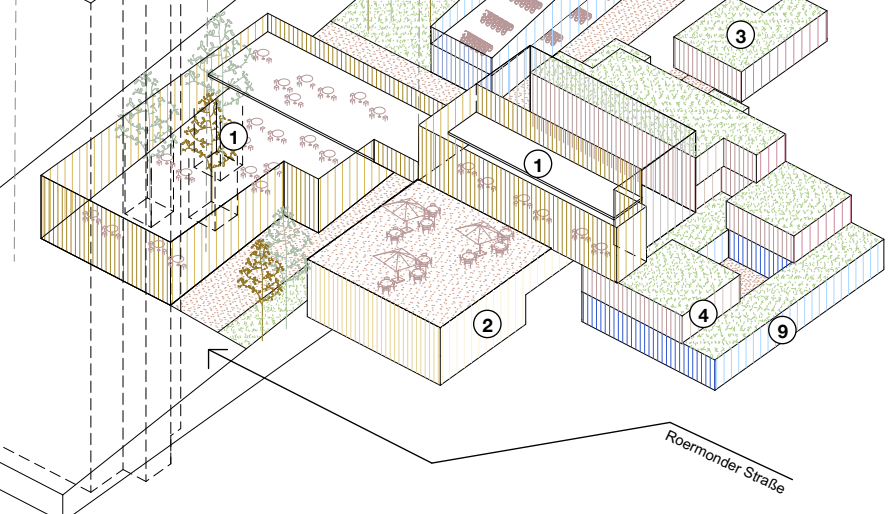
TOWER 1 - OPH
19 levels



TOWER 4 - WEH
17 levels



TOWER 3 - WEH
19 levels



level 01-04		
①	social spaces: cafe + working space	ca.922m ²
②	shop + storage	ca.461m ²
③	outside spaces: gardening, sport field, playground	ca. 3000m ²
④	common rooms: cinema / libery / learning spaces	ca.396m ²
⑤	sport spaces + sauna	ca.190m ²
⑥	mobility hub: bike workshop / parking station	ca.936m ²
⑦	storage spaces (2-3qm*850=4250)	ca.1900m ²
⑧	apartments	ca.2583m ²
⑨	child day care	ca.268m ²

Roermonder Straße

aachen rütscher straße - studententürme
village centre and married student housing

TOWER 1 - OPH



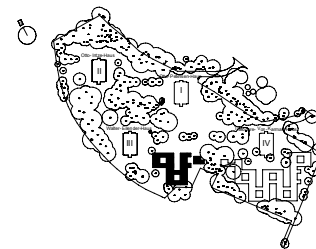
TOWER 4 - TVK



TOWER 4 - TVK

TOWER 3 - WEH

Existing situation
South-West



Existing situation
South-East

